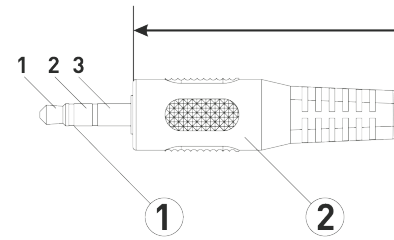





NOTE: ALL MATERIAL ARE RoHS COMPLIANT

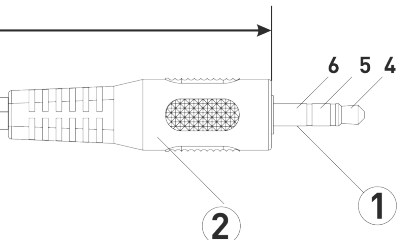
Jack 3.5ST M



L



Jack 3.5ST M



	L(mm)
CJ3S02	2500+/-30
CJ3S03	3000+/-40
CJ3S05	5000+/-50
CJ3S10	10000+/-100
CJ3S15	15000+/-100
CJ3S20	20000+/-150

Wiring	
Jack 3.5 st	Jack 3.5 st
1	4
2	5
3	6
(Ground)	(Ground)

Electrical tests:
1.100% open and short test.

BOM			
No.	Description	Unit	Qty.
1	Jack 3.5mm stereo male plug Ni plated	pcs	2
2	Outer mold black PVC	pcs	2
3	[28AWG/CCS+PVC+D+black PVC]*2 OD: 2.5x2+/-0.15mm	mm	

Date	Update information	
Customer:	AVECO	Custo.type:
Draw by:	Deric	Drawing No.: AV16062702
Date:	27/06/2016	Checked by: Jean
		Option: No fixed scale
		Rev: 1.0